

GENERAL PLANS

U.S.S. CONSTITUTION CLASS

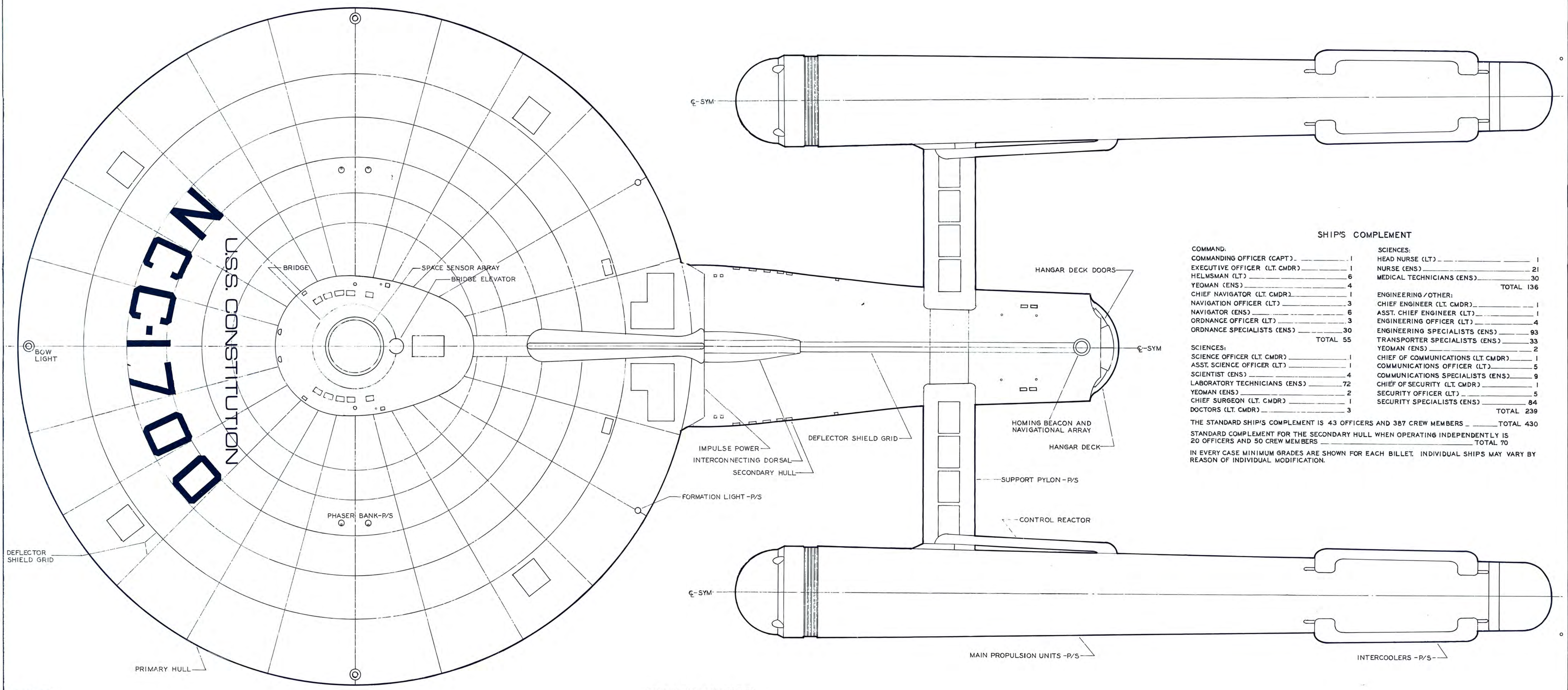
THE FOLLOWING SHIPS OF THIS CLASS WERE CONSTRUCTED UNDER AUTHORIZATION OF THE ORIGINAL ARTICLES OF FEDERATION OF THE UNITED FEDERATION OF PLANETS.

CONSTELLATION	NCC-1017	INTREPID	NCC-1708
CONSTITUTION	NCC-1700	KONGO	NCC-1710
ENTERPRISE	NCC-1701	LEXINGTON	NCC-1703
EXCALIBUR	NCC-1705	POTEMKIN	NCC-1711
EXETER	NCC-1706	REPUBLIC	NCC-1712
FARRAGUT	NCC-1702	VALIANT	NCC-1709
HOOD	NCC-1707	YORKTOWN	NCC-1704

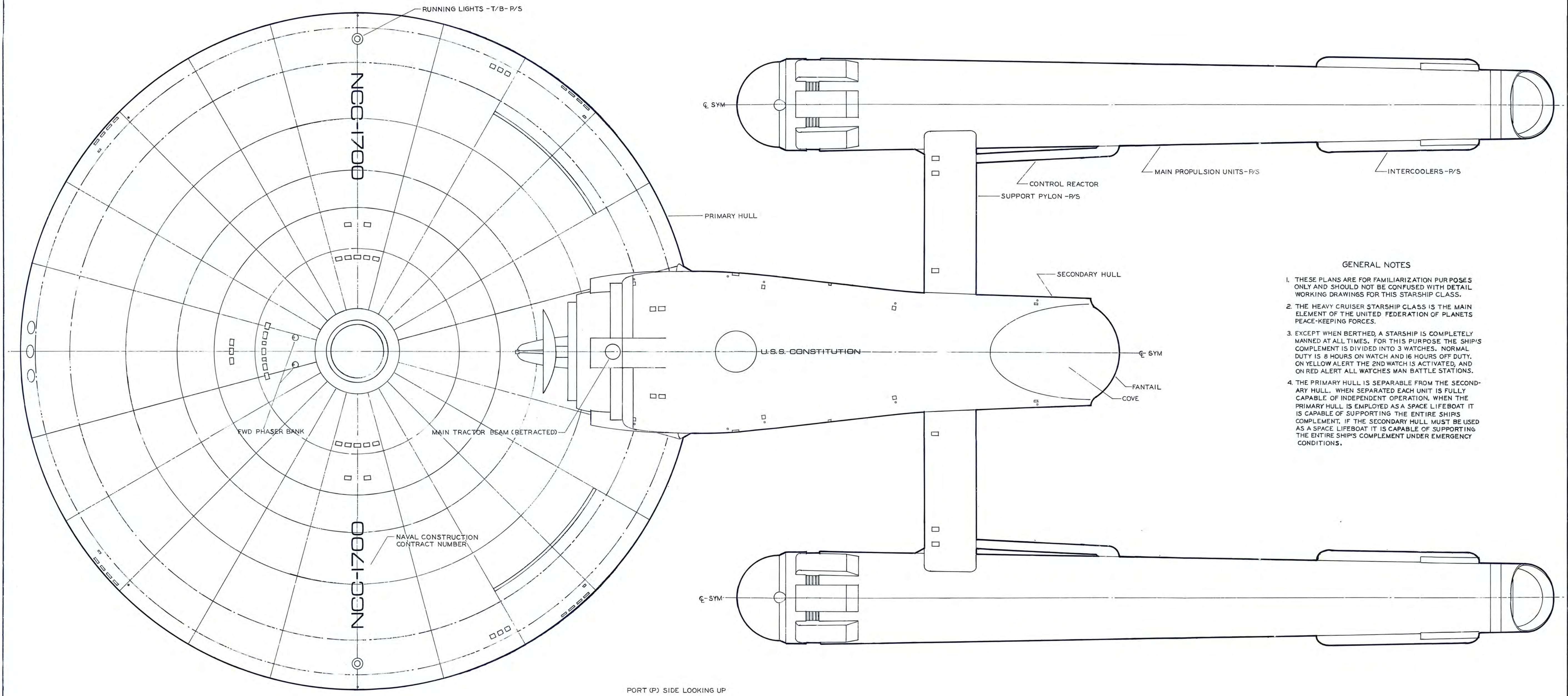
*CLASS SHIP

FEDERATION CLASSIFIED
THESE BOOKLETS OF GENERAL PLANS ARE FOR THE SPECIFIC USE OF ACADEMY CADETS TO FAMILIARIZE THEMSELVES WITH THE GENERAL ARRANGEMENT OF STARSHIPS, UNDER THE LAWS OF THE UNITED FEDERATION OF PLANETS, AND ITS MEMBER PLANETS, UNAUTHORIZED USE, OR REPRODUCTION IN WHOLE OR IN PART, WITHOUT THE WRITTEN PERMISSION OF STAR FLEET OR ITS PLANETARY AGENCIES IS PROHIBITED.

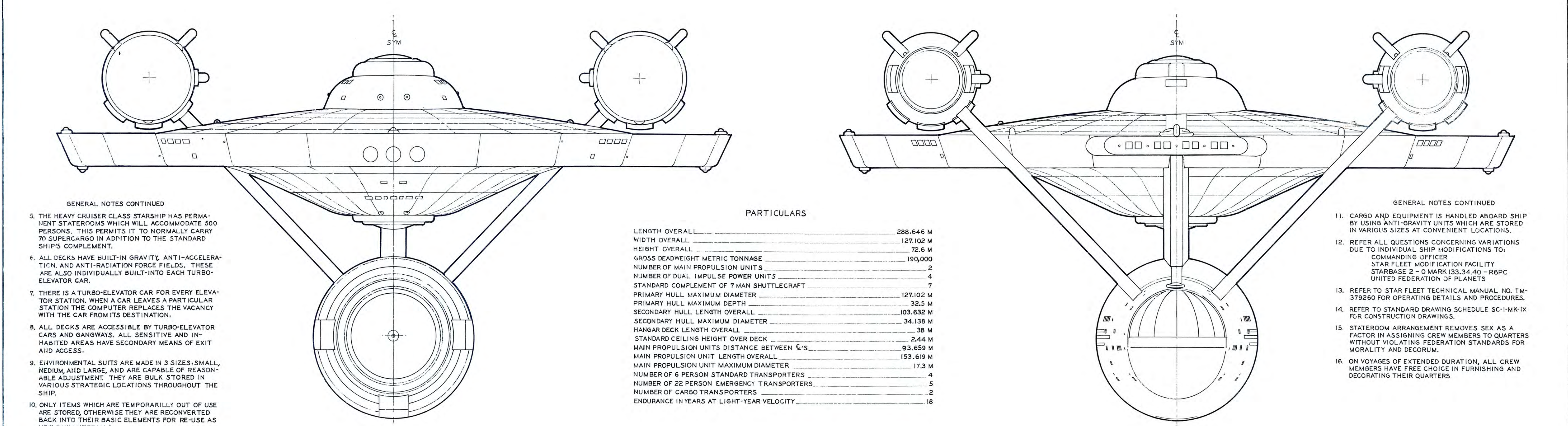
FJD 7309 21-24



FJD 7309 22-24



FJD 7309 25-24



SHIPS COMPLIMENT

COMMAND:		SCIENCES	
COMMANDING OFFICER (CAPT.)	1	HEAD NURSE (LT)	1
EXECUTIVE OFFICER (LT CMDR)	1	NURSE (ENS)	21
HELMSMAN (LT)	6	MEDICAL TECHNICIANS (ENS)	30
YEAMAN (ENS)	4	TOTAL	136
ENGINEERING:		ENGINEERING/OTHER:	
CHIEF ENGINEER (LT CMDR)	1	CHIEF ENGINEER (LT CMDR)	1
CHIEF NAVIGATOR (LT)	3	ASST. CHIEF ENGINEER (LT)	4
NAVIGATOR (ENS)	6	ENGINEERING OFFICER (LT)	4
ORDNANCE OFFICER (LT)	2	ENGINEERING SPECIALISTS (ENS)	93
ORDNANCE SPECIALISTS (ENS)	30	ENGINEERING SPECIALISTS (ENS)	93
TOTAL 55		TRANSPORTER SPECIALISTS (ENS)	33
TRANSPORT:		YEAMAN (ENS):	
CHIEF OF TRANSPORT (LT CMDR)	1	YEAMAN (ENS)	2
CHIEF OF COMMUNICATIONS (LT CMDR)	1	YEAMAN (ENS)	2
ASSIST. CHIEF OF COMMUNICATIONS (LT)	1	YEAMAN (ENS)	2
CHIEF OF COMMUNICATIONS (LT)	1	YEAMAN (ENS)	2
COMUNICATIONS SPECIALISTS (ENS)	5	YEAMAN (ENS)	2
COMUNICATIONS SPECIALISTS (ENS)	9	YEAMAN (ENS)	2
COMUNICATIONS SPECIALISTS (ENS)	9	YEAMAN (ENS)	2
COMUNICATIONS SPECIALISTS (ENS)	1	YEAMAN (ENS)	2
SECURITY OFFICER (LT)	1	SECURITY SPECIALISTS (ENS)	5
SECURITY OFFICER (LT)	1	SECURITY SPECIALISTS (ENS)	5
SECURITY SPECIALISTS (ENS)	84	SECURITY SPECIALISTS (ENS)	84
DOCTORS (LT CMDR)	3	DOCTORS (LT CMDR)	3
TOTAL 239		TOTAL 239	

THE STANDARD SHIPS COMPLIMENT IS 43 OFFICERS AND 387 CREW MEMBERS TOTAL 430
STANDARD COMPLIMENT FOR THE SECONDARY HULL WHEN OPERATING INDEPENDENTLY IS 20 OFFICERS AND 56 CREW MEMBERS TOTAL 76
IN EVERY CASE MINIMUM GRADES ARE SHOWN FOR EACH BILLET. INDIVIDUAL SHIPS MAY VARY BY REASON OF INDIVIDUAL MODIFICATION.

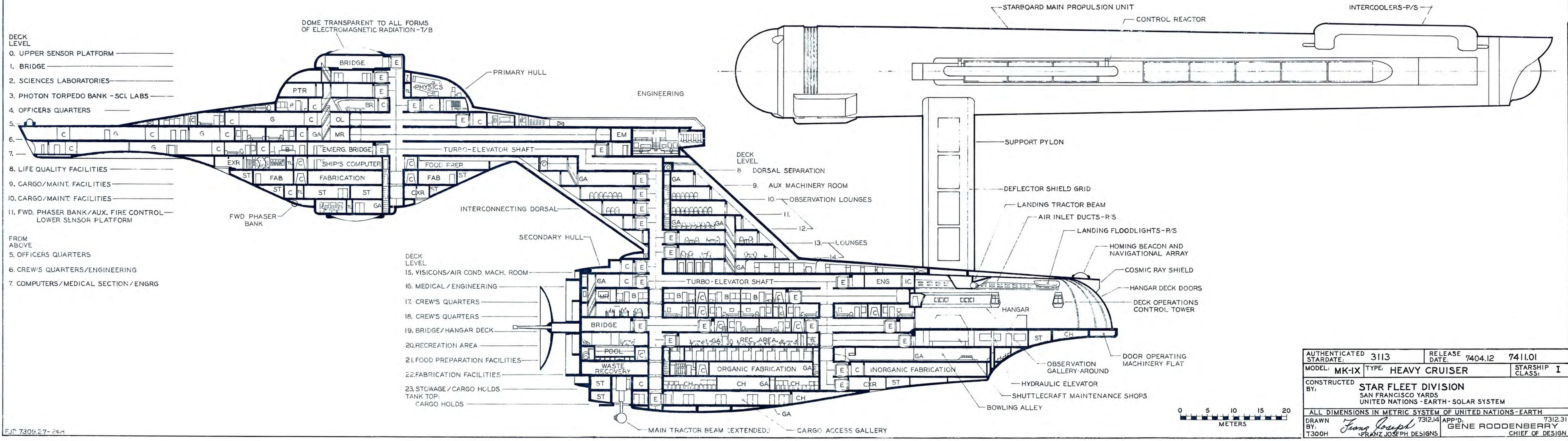
GENERAL NOTES

- THESE PLANS ARE FOR FAMILIARIZATION PURPOSES ONLY AND SHOULD NOT BE CONFUSED WITH DETAIL WORKING DRAWINGS FOR THIS STARSHIP CLASS.
- THE HEAVY CRUISER STARSHIP CLASS IS THE MAIN ELEMENT OF THE UNITED FEDERATION OF PLANETS PEACE-KEEPING FORCE.
- EXCEPT WHEN BERTHED A STARSHIP IS COMPLETELY MANNEAT ALL TIMES. FOR THIS PURPOSE THE SHIPS COMPLIMENT IS DIVIDED INTO 3 WATCHES: NORMAL DUTY IS 8 HOURS ON WATCH AND 16 HOURS OFF DUTY, ON YELLOW ALERT THE END WATCH ACTIVATED AND ON RED ALERT ALL WATCHES MAN BATTLE STATIONS.
- THE PRIMARY HULL IS SEPARABLE FROM THE SECONDARY HULL. WHEN SEPARATED EACH UNIT IS FULLY CAPABLE OF INDEPENDENT OPERATION. WHEN THE PRIMARY HULL IS EMPLOYED AS A SPACE LIFEBOT IT IS CAPABLE OF SUPPORTING THE ENTIRE SHIPS COMPLIMENT. IF THE SECONDARY HULL MUST BE USED AS A SPACE LIFEBOT IT IS CAPABLE OF SUPPORTING THE ENTIRE SHIPS COMPLIMENT UNDER EMERGENCY CONDITIONS.

PARTICULARS

LENGTH OVERALL	288,646 M
WIDTH OVERALL	127,092 M
HEIGHT OVERALL	72.8 M
GROSS DEADWEIGHT METRIC TONNAGE	193,000
NUMBER OF MAIN PROPULSION UNITS	2
NUMBER OF DUAL IMPULSE POWER UNITS	4
STANDARD COMPLIMENT OF 7 MAN SHUTTLECRRAFT	7
PRIMARY HULL MAXIMUM DIAMETER	127.02 M
PRIMARY HULL MAXIMUM DEPTH	38.2 M
SECONDARY HULL LENGTH OVERALL	103.63 M
SECONDARY HULL MAXIMUM DIAMETER	34.136 M
HANGAR DECK LENGTH OVERALL	39 M
STANDARD CEILING HEIGHT OVER DECK	2.44 M
MAIN PROPULSION UNITS DISTANCE BETWEEN C/S	93,859 M
MAIN PROPULSION UNIT LENGTH OVERALL	153,619 M
MAIN PROPULSION UNIT MAXIMUM DIAMETER	17.3 M
NUMBER OF 6 PERSON STANDARD TRANSPORTERS	4
NUMBER OF 22 PERSON EMERGENCY TRANSPORTERS	5
NUMBER OF CARGO TRANSPORTERS	2
ENDURANCE IN YEARS AT LIGHT-YEAR VELOCITY	18

FJD 7309 25-24



FJD 7309 27-24

7 5 10 15 20 METERS

AUTHENTICATED	9113	RELEASE	1404-12	741101
STANDARD				
MODEL	MX-4	TYPE	HEAVY CRUISER	STARSHIP I
CONSTRUCTED BY	STAR FLEET DIVISION SAN FRANCISCO YARDS UNITED NATIONS EARTH-SOLAR SYSTEM			
DRAWN BY	Gene Roddenberry, Joseph DeBusonis, Joseph DeBusonis			
DATE	1968			
BY	GENE RODDENBERRY			